

RL-XX

Electronics Battery Discharge Gauge

BATTERY INDICATOR

RL-BI002

- High reliability, Low cost and small size.
- LED Flash for low charge & high charge warning
- Memory option to recall last charge level.
- Keyswitch display enable option, Fits standard panel cut-out.
- 10 segment LED Bar Graph display.
- Wide operating temperature range.
- Silent operation, no moving parts.
- A variety of operating voltage for your selection



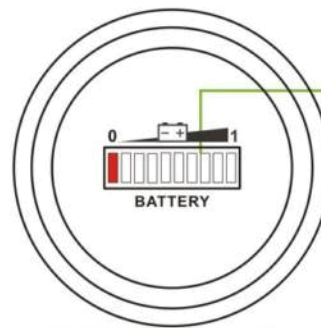
1 Color: Black



2 Back of meter



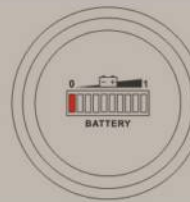
3 Packing of meter



LED Display

Main Function

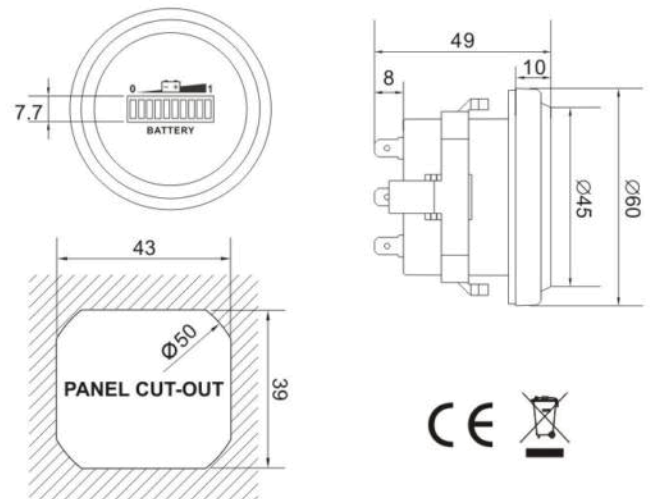
1 Battery Display



Specifications

Voltage	DC12/24V, DC36, DC48V/72V
Material Science	ABS
Weight	40g

Product Size



LED Battery meter

The LED is lit when the battery is properly charged as battery state of charge decreases, consecutively successive LED's light up (one at a time). The left most 2 LED's flash indicate empty (80% depth of charge). When the proper charging voltage is applied (see operating voltage) all the LED's display will scan, indicating the charging system has begun. After 6 minutes, the meter will reset to full charge state. With the key switch input model it's use turns ON and OFF the LED display while still state of charge. monitoring the battery state of charge.

Features

- High reliability • Low cost and small size
- LED Flash for low charge & high charge warning
- Memory option to recall last charge level
- Keyswitch Display enable option • Fits standard panel cut-out
- 10 segment LED Bar Graph display • Wide operating temperature range
- Silent operation, no moving parts.

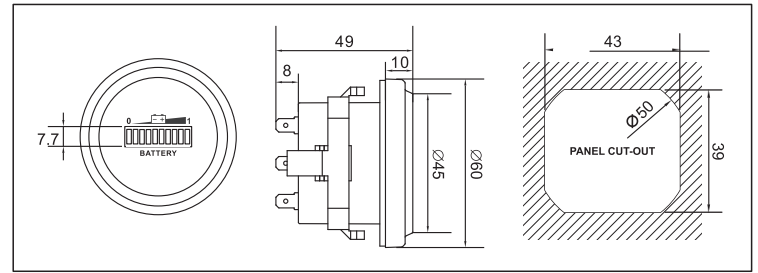
Specifications

Capacity	1Red 2 Yellow 7 Green color LED for indicator
Resolution	10% per LED segment.
Operating Voltage	12/24V,36V,48/72V (With/Without Key Terminal)
Operating Current	20 mA nominal
Storage and Operating	-40°C to +85°C Temperature:
Humidity	95% RH+32C for 2 Hours
Polarity	Positive/Negative/C
Waterproof	IP65

Operation of the Battery Fuel Gauge:

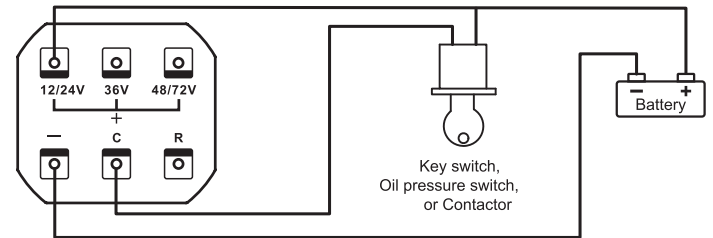
Battery Charge capacity is indicated using a 10 segment LED bar graph display from full (right LED segment lit) to empty (Left LED segment lit)

- LED flashes the 2nd LED from the left as a warning that the battery has discharged 70%.
- At 80% discharge, LED alternate flashes the left 2 LEDs to indicate very low capacity is remaining.

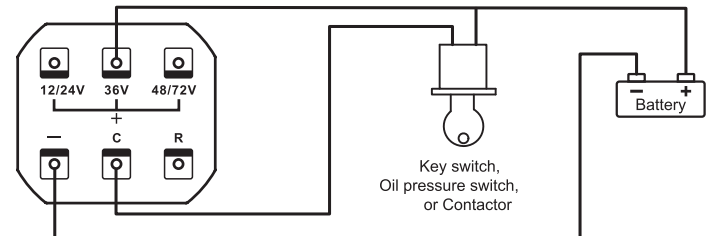


Warning: Before you connect the indicator to battery, please confirm the voltage of your battery first, and connect the positive electrode to the correct pin of the indicator on the back, wrong voltage connection maybe cause the battery indicator damage.

If the voltage of your battery is 12V or 24V



If the voltage of your battery is 36V



If the voltage of your battery is 48V or 72V

